



Corrosion-proof Speed Dome

Quick Start Guide

UD.6L0201B2014A02

Quick Start Guide

About this Manual

This Manual is applicable to Corrosion-proof Speed Dome.

The Manual includes instructions for using and managing the product. Pictures, charts, images and all other information hereinafter are for description and explanation only. The information contained in the Manual is subject to change, without notice, due to firmware updates or other reasons. Please find the latest version in the company website.

Please use this user manual under the guidance of professionals.

Legal Disclaimer

REGARDING TO THE PRODUCT WITH INTERNET ACCESS, THE USE OF PRODUCT SHALL BE WHOLLY AT YOUR OWN RISKS. OUR COMPANY SHALL NOT TAKE ANY RESPONSIBILITIES FOR ABNORMAL OPERATION, PRIVACY LEAKAGE OR OTHER DAMAGES RESULTING FROM CYBER ATTACK, HACKER ATTACK, VIRUS INSPECTION, OR OTHER INTERNET SECURITY RISKS; HOWEVER, OUR COMPANY WILL PROVIDE TIMELY TECHNICAL SUPPORT IF REQUIRED.

SURVEILLANCE LAWS VARY BY JURISDICTION. PLEASE CHECK ALL RELEVANT LAWS IN YOUR JURISDICTION BEFORE USING THIS PRODUCT IN ORDER TO ENSURE THAT YOUR USE CONFORMS THE APPLICABLE LAW. OUR COMPANY SHALL NOT BE LIABLE IN THE EVENT THAT THIS PRODUCT IS USED WITH ILLEGITIMATE PURPOSES.

IN THE EVENT OF ANY CONFLICTS BETWEEN THIS MANUAL AND THE APPLICABLE LAW, THE LATER PREVAILS.

Regulatory Information

FCC Information

FCC compliance: This equipment has been tested and found to comply with the limits for a Class A digital device, pursuant to part 15 of the FCC Rules. These limits are designed to provide reasonable protection against harmful interference when the equipment is operated in a commercial environment. This equipment generates, uses, and can radiate radio frequency energy and, if not installed and used in accordance with the instruction manual, may cause harmful interference to radio communications.

Operation of this equipment in a residential area is likely to cause harmful interference in which case the user will be required to correct the interference at his own expense.

FCC Conditions

This device complies with part 15 of the FCC Rules. Operation is subject to the following two conditions:

1. This device may not cause harmful interference.
2. This device must accept any interference received, including interference that may cause undesired operation

EU Conformity Statement



This product and - if applicable - the supplied accessories too are marked with "CE" and comply therefore with the applicable harmonized European standards listed under the EMC Directive 2004/108/EC, the RoHS Directive

2011/65/EU.



2012/19/EU (WEEE directive): Products marked with this symbol cannot be disposed of as unsorted municipal waste in the European Union. For proper recycling, return this product to your local supplier upon the purchase of equivalent new equipment, or dispose of it at designated collection points.

For more information see: www.recyclethis.info.



2006/66/EC (battery directive): This product contains a battery that cannot be disposed of as unsorted municipal waste in the European Union. See the product documentation for specific battery information. The battery is marked with this symbol, which may include lettering to indicate cadmium (Cd), lead (Pb), or mercury (Hg). For proper recycling, return the battery to

your supplier or to a designated collection point. For more information see:

www.recyclethis.info.

Industry Canada ICES-003 Compliance

This device meets the CAN ICES-3 (A)/NMB-3(A) standards requirements.



Safety Instruction

These instructions are intended to ensure that user can use the product correctly to avoid danger or property loss.

The precaution measure is divided into **Warnings** and **Cautions**:

Warnings: Neglecting any of the warnings may cause serious injury or death.

Cautions: Neglecting any of the cautions may cause injury or equipment damage.

	
Warnings Follow these safeguards to prevent serious injury or death.	Cautions Follow these precautions to prevent potential injury or material damage.



Warnings

- All the electronic operation should be strictly compliance with the electrical safety regulations, fire prevention regulations and other related regulations in your local region.
- Please use the power adapter, which is provided by normal company. The power consumption cannot be less than the required value.
- Do not connect several devices to one power adapter as adapter overload may cause over-heat or fire hazard.
- Please make sure that the power has been disconnected before you wire, install or dismantle the speed dome.
- When the product is installed on wall or ceiling, the device shall be firmly fixed.
- If smoke, odors or noise rise from the device, turn off the power at once and unplug the power cable, and then please contact the service center.
- If the product does not work properly, please contact your dealer or the nearest service center. Never attempt to disassemble the speed dome yourself. (We shall not assume any responsibility for problems caused by unauthorized repair or maintenance.)
- Please do not look directly into the laser light within 6 meters because laser is hazardous to humans.



Cautions

- Do not drop the dome or subject it to physical shock, and do not expose it to high electromagnetism radiation. Avoid the equipment installation on vibrations surface or places subject to shock (ignorance can cause equipment damage).
- Do not place the speed dome in extremely hot (refer to the specification of the device for the detailed operating temperature), cold, dusty or damp locations, and do not expose it to high electromagnetic radiation.

- The dome cover for indoor use shall be kept from rain and moisture.
- Exposing the equipment to direct sun light, low ventilation or heat source such as heater or radiator is forbidden (ignorance can cause fire danger).
- Do not aim the speed dome at the sun or extra bright places. A blooming or smear may occur otherwise (which is not a malfunction however), and affecting the endurance of sensor at the same time.
- Please use the provided glove when open up the dome cover, avoid direct contact with the dome cover, because the acidic sweat of the fingers may erode the surface coating of the dome cover.
- Please use a soft and dry cloth when clean inside and outside surfaces of the dome cover, do not use alkaline detergents.
- Please keep all wrappers after unpack them for future use. In case of any failure occurred, you need to return the speed dome to the factory with the original wrapper. Transportation without the original wrapper may result in damage on the speed dome and lead to additional costs.
- Improper use or replacement of the battery may result in hazard of explosion. Replace with the same or equivalent type only. Dispose of used batteries according to the instructions provided by the battery manufacturer.

Table of Contents

1 Overview	1
2 Installation	2
2.1 Interfaces of Type I Gang Box	2
2.2 Wall Mounting	5
2.2.1 Installing the Speed Dome with Type I Gang Box	5
2.2.2 Installing the Speed Dome with Type II Gang Box	8
2.3 Pendant Mounting.....	12
2.3.1 Installing the Speed Dome with Type I Gang Box.....	12
2.3.2 Installing the Speed Dome with Type II Gang Box.....	15
3 Setting the Dome over the LAN	20
3.1 Wiring.....	20
3.2 Activating the Speed Dome	20
3.2.1 Activation via Web Browser	20
3.2.2 Activation via SADP Software	21
3.3 Modifying the IP Address.....	22
4 Accessing via Web Browser	24

1 Overview

Please turn the power off before connect the cables.

Refer to the figure below for the cable interfaces of the corrosion-proof speed dome.

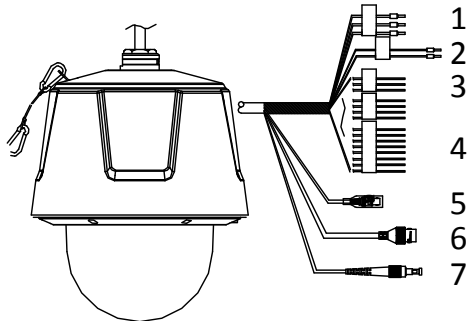


Figure 1-1 Cable Interface of the Corrosion-proof Speed Dome

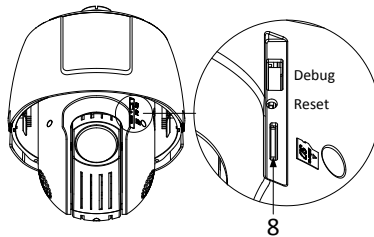


Figure 1-2 SD Card Slot of the Corrosion-proof Speed Dome

Table 1-1 Descriptions of Cable Interface

No.	Description
1	Power Cable
2	RS-485
3	Audio Cable
4	Alarm Cable
5	Video Cable
6	Network Cable
7	Optical Fiber
8	SD Card Slot

2 Installation

Before you start:

- Make sure the device in the package is in good condition and all the assembly parts are included.
- The standard power supply is 12V DC or 24V AC, please make sure your power supply matches with your speed dome.
- Make sure all the related equipment is power-off during the installation.
- Check the specification of the products for the installation environment.
- Make sure that the wall is strong enough to withstand four times the weight of the speed dome and the bracket.

For the speed dome that supports IR, you are required to pay attention to the following precautions to prevent IR reflection:

- Dust or grease on the dome cover will cause IR reflection. Please do not remove the dome cover film until the installation is finished. If there is dust or grease on the dome cover, clean the dome cover with clean soft cloth and isopropyl alcohol.
- Make sure that there is no reflective surface too close to the lens. The IR light from the speed dome may reflect back into the lens causing reflection.



Do not drag the speed dome with its waterproof cables as shown in Figure 2-1, otherwise the waterproof performance is affected.

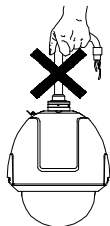


Figure 2-1 Do Not Drag the Cables

2.1 Installing Micro SD Card

Purpose:

The speed domes are with built-in micro SD card slots which are for local storage with micro SD cards. There are five types of speed dome listed as follows.

Before you start:

Please turn off the power of the speed dome before connecting the cables.



- For cement wall, you need to use the expansion screw to fix the bracket. The mounting hole of the expansion pipe on the wall should align with the mounting hole on the bracket.
- For wooden wall, you can just use the self-tapping screw to fix the bracket.
- Please make sure that the wall is strong enough to withstand more than 8 times the weight of the dome and the bracket.
- The bracket in Figure 2-7 is the recommended bracket for this series of speed dome, and a pendant adapter is required if any other bracket is selected. The dimension of pendant adapter is $G1\frac{1}{2}$.

Steps:

1. Loosen the 4 lock screws on the flange of the speed dome.

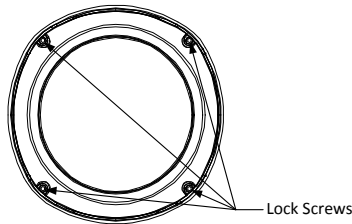


Figure 2-2 Loosen the Lock Screws



Please do not remove the lock screws from the dome.

2. Pull the lower dome to separate it from the back box, and remove the protective foam, sticker and lens cover from the dome drive.

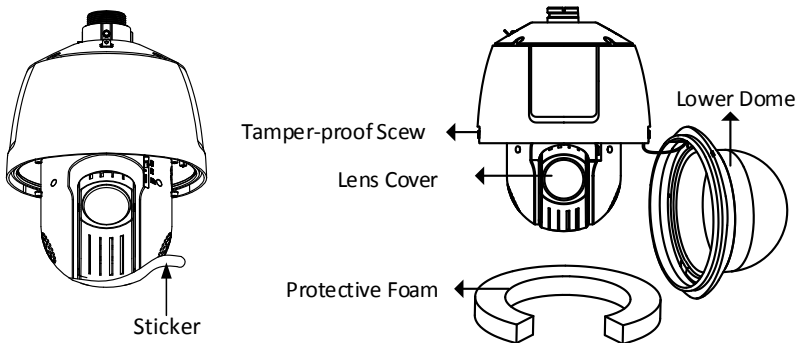


Figure 2-3 Remove the Protective Elements

3. Install the micro SD card of the speed dome.

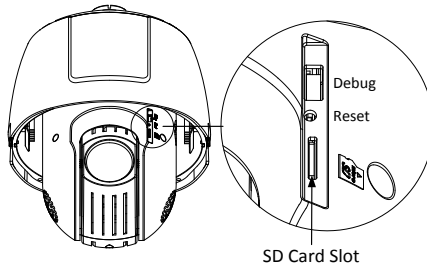


Figure 2-4 Install the SD Card

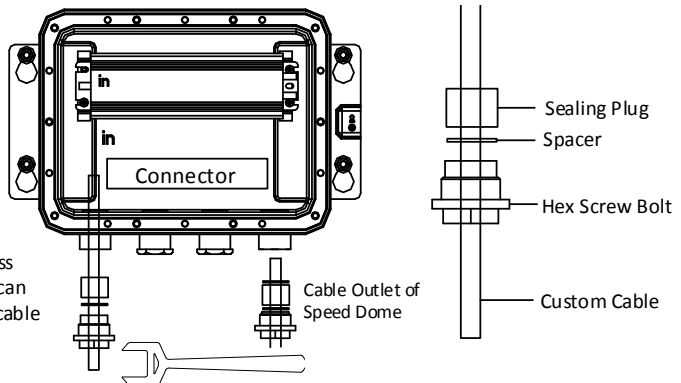
4. Align the cuts on the lower dome with the lock screws on the back box to reinstall the lower dome. Tighten the lock screws.
5. Drill 4 screw holes in the wall according to the holes of the bracket, and then insert M8 screws into the mounting holes.

2.2 Interfaces of Type I Gang Box

3 custom cable holes are reserved on the gang box so that you can connect the speed dome with your own cables. For the corrosion-proof function, please accomplish the installation of cables according to the following steps:

Steps:

1. Remove the cover of the gang box and loosen the hex screws with the wrench (supplied with device). Poke the sealing plug out of the gang box.
2. Route the cables through the connectors. Make sure each cable is routed through one cable hole only and all terminals are tightly sealed with waterproof adhesive, as shown in Figure 2-5.
3. After connecting the cables, secure the hex screws with the wrench.



Note:
Only one cable (cross section as circular) can route through one cable hole.

Figure 2-5 Interface of Custom Cables



For the corrosion-proof function, we provide you with sealing plugs of different dimensions. Please select the appropriate sealing plug according to your cable.

2.3 Wall Mounting

2.3.1 Installing the Speed Dome with Type I Gang Box

Steps:

1. Get the installation plate and screws from the packing box.
2. Attach the installation plate onto the wall and drill 4 $\phi 14$ screw holes in the wall according to the hole sites of the installation plate.
3. Fix the installation plate and insert M10 \times 80 expansion screws into the screw holes, as shown in Figure 2-9.

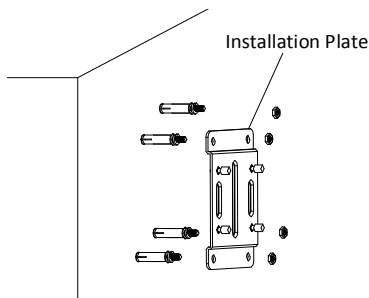


Figure 2-6 Attach the Installation Plate

4. Install the speed dome to the bracket.
 - 1) Hang the safety rope to the speed dome and then hook on the bracket.
 - 2) Connect the corresponding cables and route the cables of the speed dome through the bracket.

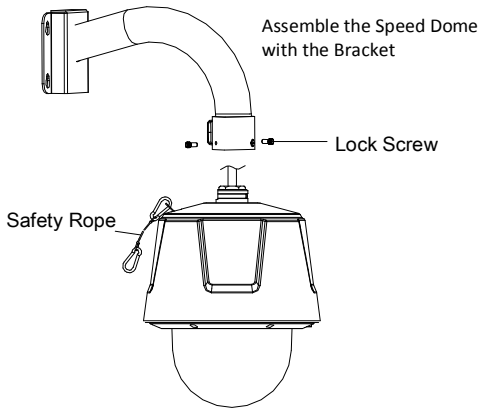


Figure 2-7 Assemble the Speed Dome with Bracket

- 3) Loosen the two lock screws on the bracket.
- 4) Install the speed dome to the bracket. Rotate the speed dome (clockwise or anticlockwise) tightly.
- 5) Secure the two lock screws with the Allen wrench as shown in Figure 2-8.

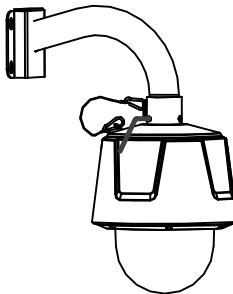


Figure 2-8 Secure the Speed Dome

5. Install the speed dome with the installation plate.

- 1) Hook the bracket onto the installation plate through the screw holes of the bracket.

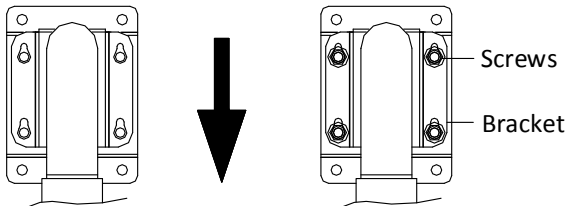


Figure 2-9 Fix the Installation Plate

- 2) Push the bracket according to the direction of the arrow.

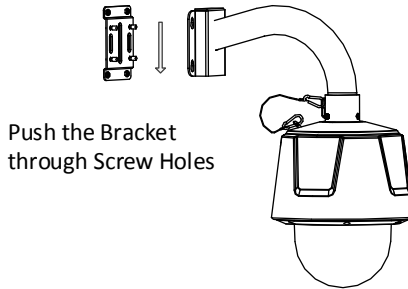


Figure 2-10 Install the Speed Dome

- 3) Secure the screw nuts to fix the bracket.

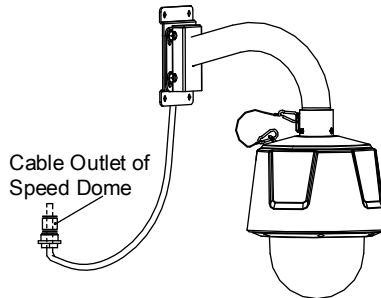


Figure 2-11 Fix the Speed Dome

6. Install and fix the gang box.

- 1) Drill 4 $\phi 9$ screw holes for expansion screws as shown in Figure 2-12.

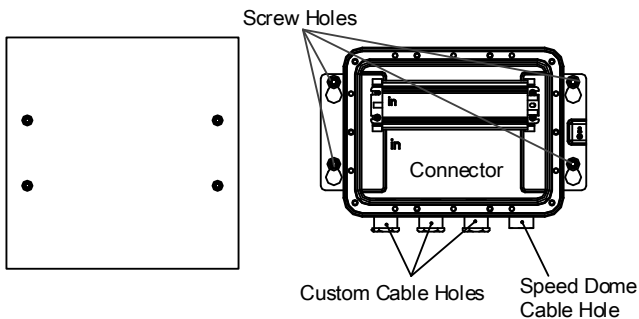


Figure 2-12 Install the Gang Box Type I

- 2) Insert M8 screws into the gang box through the screw holes and fix the gang box.

- 3) Route the cables through the connectors. Make sure each cable is routed through one cable hole only and all terminals are tightly sealed with waterproof adhesive.

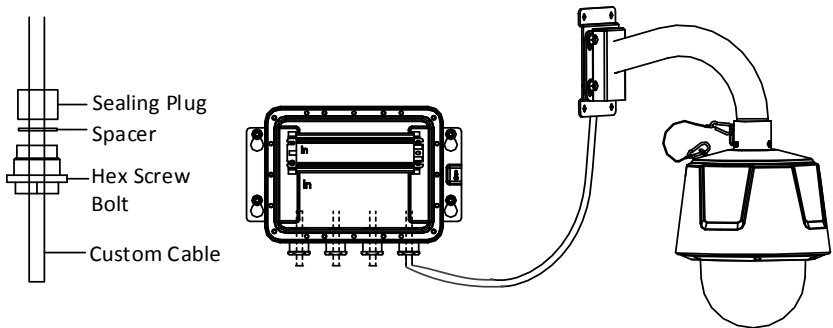


Figure 2-13 Connect the Cable

- 4) After connecting the cables, please fix the cover with screws to accomplish the installation.

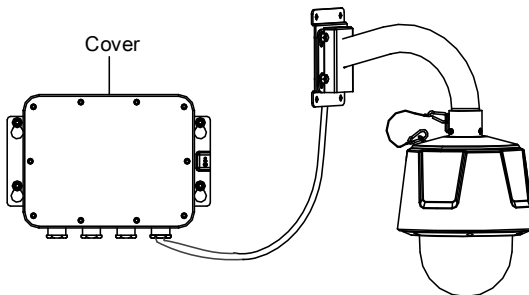


Figure 2-14 Accomplish the Installation



- The gang box should be installed close to the corrosion-proof speed dome. Please select the appropriate installing site according to the cable length.
- 3 custom cable holes are reserved on the gang box for further use. For detailed information, please refer to 2.2 Interfaces of Type I Gang Box.

2.3.2 Installing the Speed Dome with Type II Gang Box

3 custom cable holes are reserved on the gang box for further use. For detailed information, please refer to 2.1 installing the Speed Dome with Type II Gang Box.

Steps:

1. Get the installation plate and screws from the packing box.

2. Attach the installation plate onto the wall and drill 4 $\phi 14$ screw holes in the wall according to the hole sites of the installation plate.
3. Fix the installation plate and insert M10 \times 80 expansion screws into the screw holes, as shown in Figure 2-9.

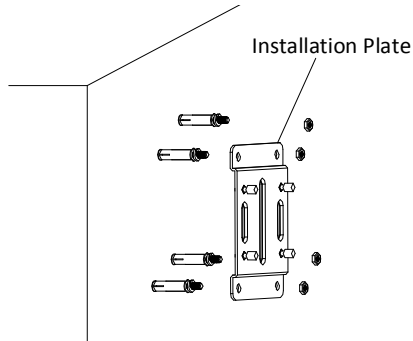


Figure 2-15 Attach the Installation Plate

4. Install the speed dome with the installation plate.
 - 1) Hook the bracket onto the installation plate through the screw holes of the bracket.

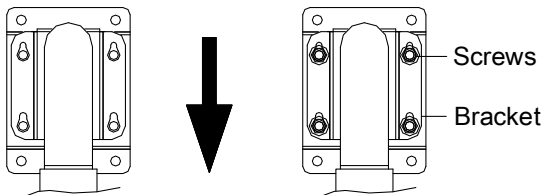


Figure 2-16 Fix the Installation Plate

- 2) Make sure the cables getting through the bracket, as shown in Figure 2-17.

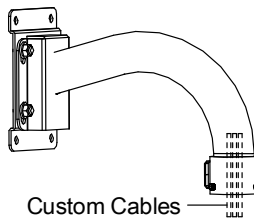


Figure 2-17 Getting the Cables through the Bracket

5. Install the speed dome to the bracket with type II gang box.
 - 1) Install the Type II gang box to the bracket and route the custom cables from the bracket through the top of the gang box.

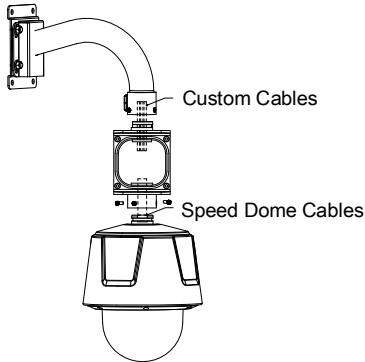


Figure 2-18 Assemble the Type II Gang Box and the Bracket

- 2) Install the speed dome to the gang box and hang the safety rope to hook the speed dome on the bracket.
- 3) Route the cables through the connectors. Make sure each cable is routed through one cable hole only and all terminals are tightly sealed with waterproof adhesive.

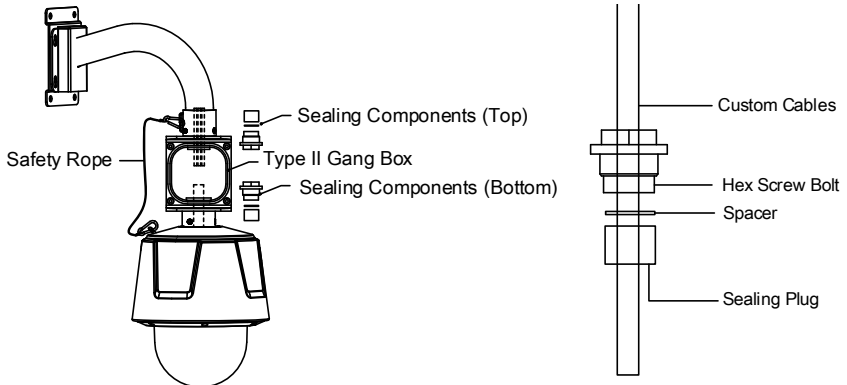


Figure 2-19 Assemble the Type II Gang Box with the Speed Dome

- 4) Insert the sealing components into the gang box in order, as shown in Figure 2-19.
- 5) Secure the lock screws with the Allen wrench to fix the speed dome.

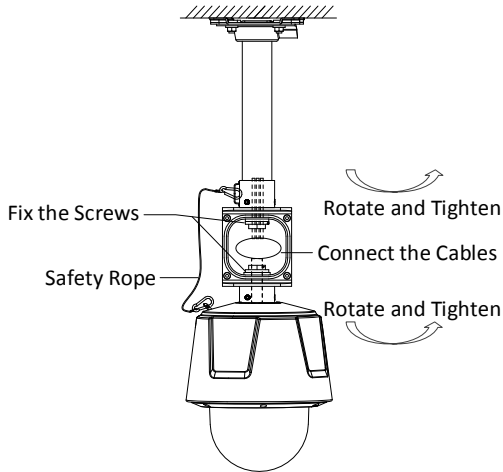


Figure 2-20 Fix the Screws and Connect the Cables

- 6) Connect the corresponding cables inside the gang box.
- 7) Seal the gang box to accomplish the installation.

NOTE

- The bracket in Figure 2-17 is the recommended bracket for this series of speed dome, and a pendant adapter is required if any other bracket is selected. See Figure 2-21.
- The dimension of pendant adapter is $G1\frac{1}{2}$.

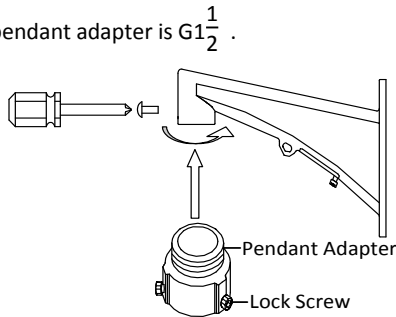


Figure 2-21 Pendant Adapter

2.4 Pendant Mounting



The ceiling mounting is only applicable to the indoor models of 5-inch speed dome.

Before you start:

The ceiling mounting is applicable to the indoor/outdoor solid ceiling construction. The followings are the mandatory precondition for ceiling mounting:

- The thickness of the ceiling must ranges from 5 to 40mm.
- The ceiling must be strong enough to withstand more than 4 times the weight of the dome and its accessories.

2.4.1 Installing the Speed Dome with Type I Gang Box

Steps:

1. Get the installation plate and screws from the packing box.
2. Attach the installation plate onto the ceiling and drill 4 $\phi 14$ screw holes in the wall according to the hole sites of the installation plate.
3. Fix the installation plate and insert M10 \times 80 expansion screws into the screw holes, as shown in Figure 2-22.

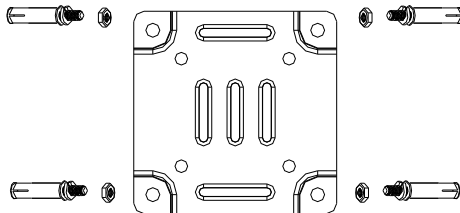


Figure 2-22 Attach the Installation Plate

4. Install the speed dome to the bracket.
 - 1) Hang the safety rope to the speed dome and then hook on the bracket.
 - 2) Connect the corresponding cables and route the cables of the speed dome through the bracket.

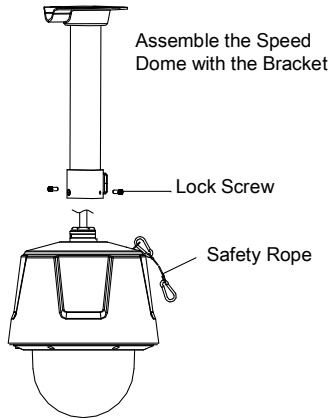


Figure 2-23 Assemble the Speed Dome with Bracket

- 3) Loosen the two lock screws on the bracket.
- 4) Install the speed dome to the bracket. Rotate the speed dome (clockwise or anticlockwise) tightly.
- 5) Secure the two lock screws with the Allen wrench as shown in Figure 2-24.



Figure 2-24 Secure the Speed Dome

1. Install the speed dome with the installation plate.
 - 1) Hook the bracket onto the installation plate through the screw holes of the bracket.

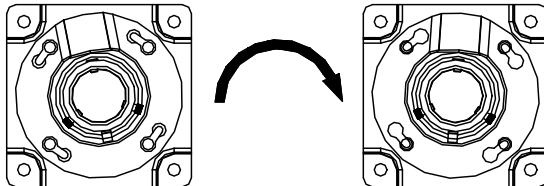


Figure 2-25 Fix the Installation Plate

- 2) Rotate the bracket according to the direction of the arrow (clockwise) to the end to make sure the speed dome is stable.
- 3) Secure the screw nuts to fix the bracket.

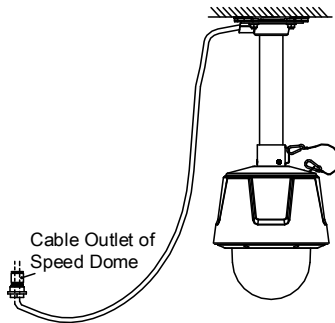


Figure 2-26 Fix the Speed Dome

2. Install and fix the gang box.
 - 1) Drill 4 $\phi 9$ screw holes for expansion screws as shown in Figure 2-27.

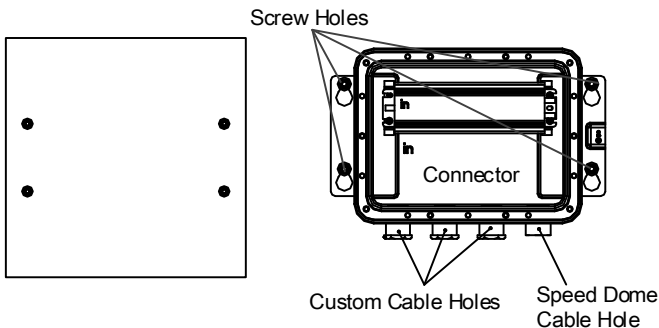


Figure 2-27 Install the Gang Box Type I

- 2) Insert M8 screws into the gang box through the screw holes and fix the gang box.
- 3) Route the cables through the connectors. Make sure each cable is routed through one cable hole only and all terminals are tightly sealed with waterproof adhesive.



- For cement wall, you need to use the expansion screw to fix the bracket. The mounting hole of the expansion pipe on the wall should align with the mounting hole on the bracket.
- For wooden wall, you can just use the self-tapping screw to fix the bracket.
- Please make sure that the wall is strong enough to withstand at least 8 times the weight of the dome and the bracket.

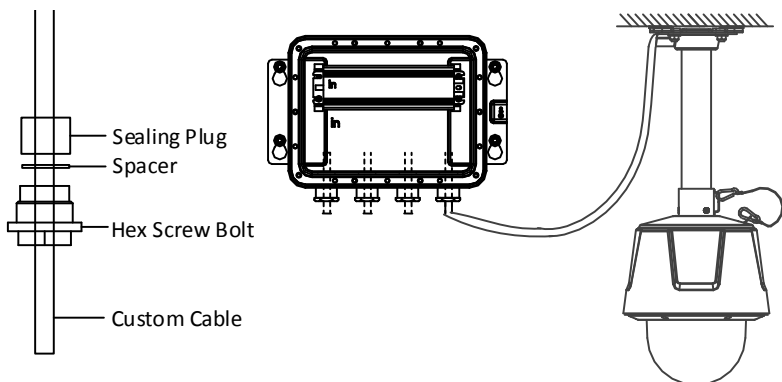


Figure 2-28 Connect the Cable

- 4) After connecting the cables, please fix the cover with screws to accomplish the installation.

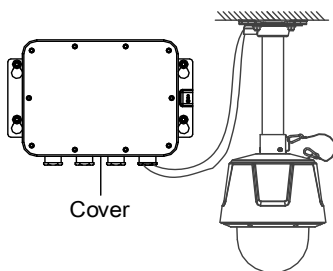


Figure 2-29 Accomplish the Installation



- The gang box should be installed close to the corrosion-proof speed dome. Please select the appropriate installing site according to the cable length.
- 3 custom cable holes are reserved on the gang box for further use. For detailed information, please refer to 2.2 Interfaces of Type I Gang Box.

2.4.2 Installing the Speed Dome with Type II Gang Box

Steps:

1. Get the installation plate and screws from the packing box.
2. Attach the installation plate onto the ceiling and drill 4 $\phi 14$ screw holes in the wall according to the hole sites of the installation plate.
3. Fix the installation plate and insert M10 \times 80 expansion screws into the screw holes, as shown in Figure 2-30.

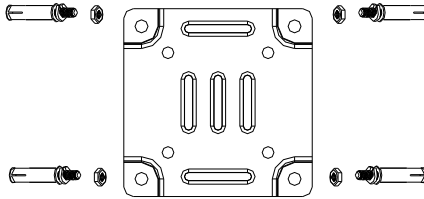


Figure 2-30 Attach the Installation Plate

4. Install the speed dome to the bracket with type II gang box.
 - 1) Hook the bracket onto the installation plate through the screw holes of the bracket.

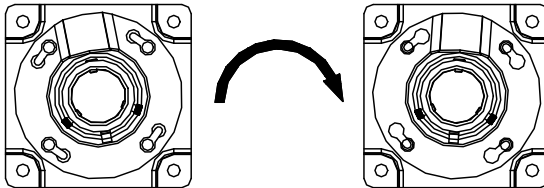


Figure 2-31 Fix the Installation Plate

- 2) Rotate the bracket according to the direction of the arrow (clockwise) to the end to make sure the speed dome is stable.
 - 3) Secure the screw nuts to fix the bracket and make sure the custom cables route through the bracket.

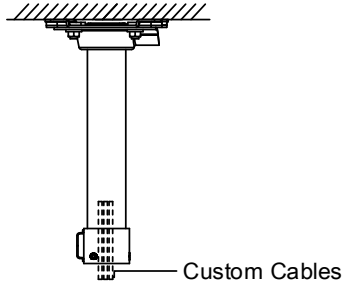


Figure 2-32 Fix the Bracket



- For cement wall, you need to use the expansion screw to fix the bracket. The mounting hole of the expansion pipe on the wall should align with the mounting hole on the bracket.
- For wooden wall, you can just use the self-tapping screw to fix the bracket.
- Please make sure that the wall is strong enough to withstand at least 8 times the

weight of the dome and the bracket.

- 4) Install the Type II gang box to the bracket and route the custom cables from the bracket through the top of the gang box.

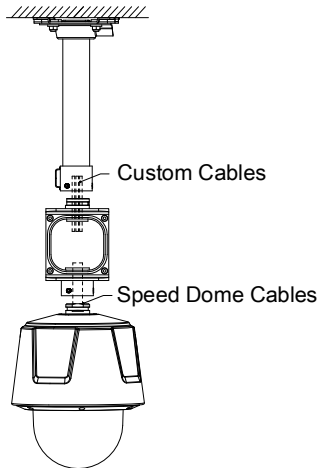


Figure 2-33 Assemble the Speed Dome with Bracket

- 5) Install the speed dome to the gang box and hang the safety rope to hook the speed dome on the bracket.
- 6) Route the cables through the connectors. Make sure each cable is routed through one cable hole only and all terminals are tightly sealed with waterproof adhesive.

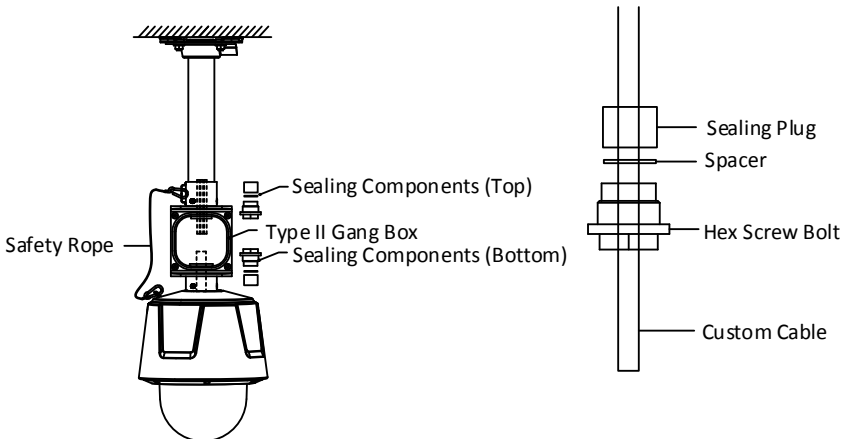


Figure 2-34 Assemble the Type II Gang Box with the Speed Dome

- 7) Insert the sealing components into the gang box in order, as shown in Figure 2-34.
- 8) Secure the lock screws with the Allen wrench to fix the speed dome.

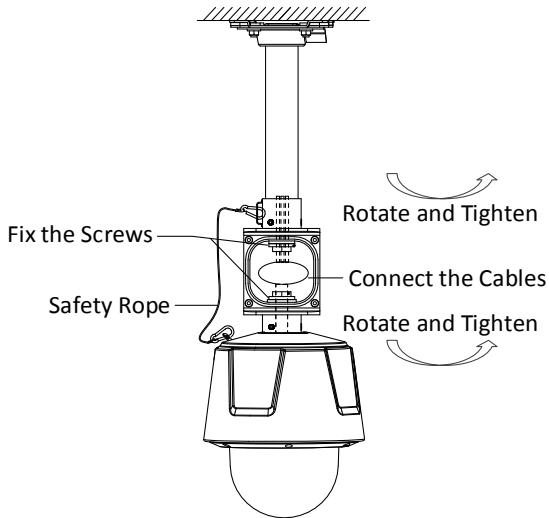


Figure 2-35 Fix the Screws and Connect the Cables

- 9) Connect the corresponding cables inside the gang box.

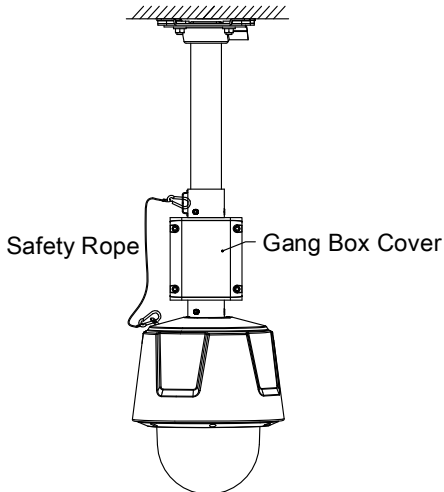


Figure 2-36 Seal the Gang Box

10) Seal the gang box to accomplish the installation.



- The bracket in Figure 2-32 is the recommended bracket for this series of speed dome, and a pendant adapter is required if any other bracket is selected. See Figure 2-21.
- The dimension of pendant adapter is $G1\frac{1}{2}$.

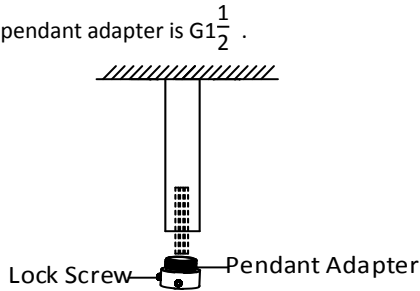


Figure 2-37 Pendant Adapter

3 Setting the Dome over the LAN



- You shall acknowledge that the use of the product with Internet access might be under network security risks. For avoidance of any network attacks and information leakage, please strengthen your own protection. If the product does not work properly, please contact with your dealer or the nearest service center.
- To ensure the network security of the speed dome, we recommend you to have the speed dome assessed and maintained termly. You can contact us if you need such service.

3.1 Wiring

To view and configure the speed dome via LAN (Local Area Network), you need to connect the network speed dome in the same subnet with your PC. Then, install the SADP or client software to search and change the IP of network speed dome.

The following figure shows the cable connection of network speed dome.

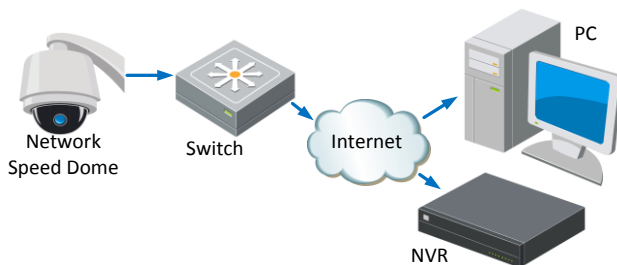


Figure 3-1 Wiring over LAN

3.2 Activating the Speed Dome

Purpose:

You are required to activate the speed dome first by setting a strong password for it before you can use the speed dome.

Activation via Web Browser, Activation via SADP, and Activation via client software are supported. In the following sections, activation via web browser and SADP will be taken as examples. You may refer to the user manual of the speed dome for the details of activation via client software.

3.2.1 Activation via Web Browser

Steps:

1. Power on the speed dome, and connect the speed dome to the network.
2. Input the IP address into the address bar of the web browser, and click Enter to enter the activation interface.



The default IP address of the speed dome is 192.168.1.64.

A screenshot of a web browser's activation interface. The window title is "Activation" and the language is set to "English". The form contains three input fields: "User Name" with the value "admin", "Password" (empty), and "Confirm" (empty). Below the password field, there is a note: "Valid password range [8-16]. You can use a combination of numbers, lowercase, uppercase and special character for your password with at least two kinds of them contained." An "OK" button is located at the bottom right of the form.

Figure 3-2 Activation Interface(Web)

3. Create a password and input the password into the password field.



STRONG PASSWORD RECOMMENDED– *We highly recommend you create a strong password of your own choosing (Using a minimum of 8 characters, including at least three of the following categories: upper case letters, lower case letters, numbers, and special characters.) in order to increase the security of your product. And we recommend you reset your password regularly, especially in the high security system, resetting the password monthly or weekly can better protect your product.*

4. Confirm the password.
5. Click **OK** to activate the speed dome and enter the live view interface.

3.2.2 Activation via SADP Software

SADP software is used for detecting the online device, activating the device, and resetting the password.

Get the SADP software from the supplied disk or the official website, and install the SADP according to the prompts. Follow the steps to activate the speed dome.

Steps:

1. Run the SADP software to search the online devices.
2. Check the device status from the device list, and select an inactive device.

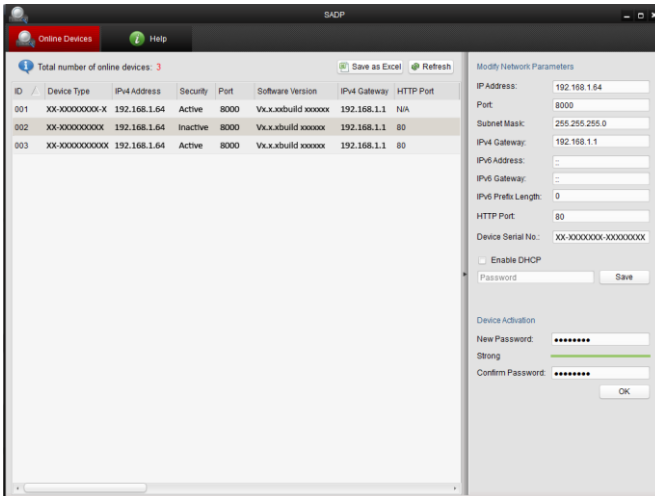


Figure 3-3 SADP Interface

3. Create a password and input the password in the password field, and confirm the password.



STRONG PASSWORD RECOMMENDED— We highly recommend you create a strong password of your own choosing (Using a minimum of 8 characters, including at least three of the following categories: upper case letters, lower case letters, numbers, and special characters.) in order to increase the security of your product. And we recommend you reset your password regularly, especially in the high security system, resetting the password monthly or weekly can better protect your product.

4. Click **OK** to save the password.

You can check whether the activation is completed on the popup window. If activation failed, please make sure that the password meets the requirement and then try again.

3.3 Modifying the IP Address

Purpose:

To view and configure the speed dome via LAN (Local Area Network), you need to connect the network speed dome in the same subnet with your PC. Then, install the SADP software or client software to search and change the IP of network speed dome. We will take modifying the IP Address via SADP software as an example to introduce the IP address modification.

Steps:

1. Run the SADP software.
2. Click to select an active device.



Please refer to section 3.2 to activate the speed dome if it is inactive.

3. Change the device IP address to the same subnet with your computer by either modifying the IP address manually or checking the checkbox of Enable DHCP.

A screenshot of a web interface titled "Modify Network Parameters". It contains several input fields for network configuration: IP Address (192.168.1.64), Port (8000), Subnet Mask (255.255.255.0), IPv4 Gateway (192.168.1.1), IPv6 Address (..), IPv6 Gateway (..), IPv6 Prefix Length (0), HTTP Port (80), and Device Serial No. (XX-XXXXXXX-XXXXXXX). There is an unchecked checkbox for "Enable DHCP", a "Password" input field, and a "Save" button.

Figure 3-4 Modify the IP Address

4. Input the password and click **Save** to activate your IP address modification.

4 Accessing via Web Browser

System Requirement:

Operating System: Microsoft Windows XP SP1 and above version / Vista / Win7 / Server 2003 / Server 2008 32bits

CPU: Intel Pentium IV 3.0 GHz or higher


RAM: 1G or higher

Display: 1024×768 resolution or higher

Web Browser: Internet Explorer 7.0 and above version, Apple Safari 5.02 and above version, Mozilla Firefox 5 and above version and Google Chrome 8 and above version

Steps:

1. Open the web browser.
2. In the browser address bar, input the IP address of the network speed dome, e.g., 192.168.1.64 and press the Enter key to enter the login interface.
3. Activate the speed dome for the first time using, refer to the section **3.2 Activating the Speed Dome**.

4. Input the user name and password and click . The admin user should configure the device accounts and user/operator permissions properly. Delete the unnecessary accounts and user/operator permissions.



The device IP address gets locked if the admin user performs 7 failed password attempts (5 attempts for the user/operator).

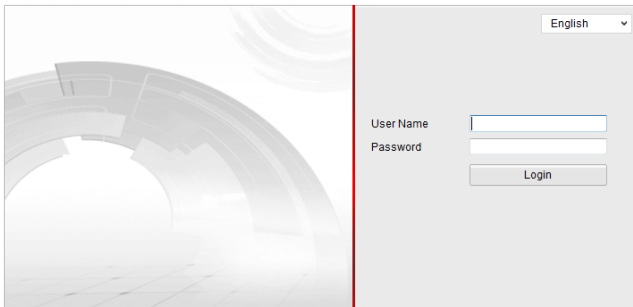


Figure 4-1 Login Interface

5. Install the plug-in before viewing the live video and managing the network speed dome. Please follow the installation prompts to install the plug-in.



You may have to close the web browser to finish the installation of the plug-in.

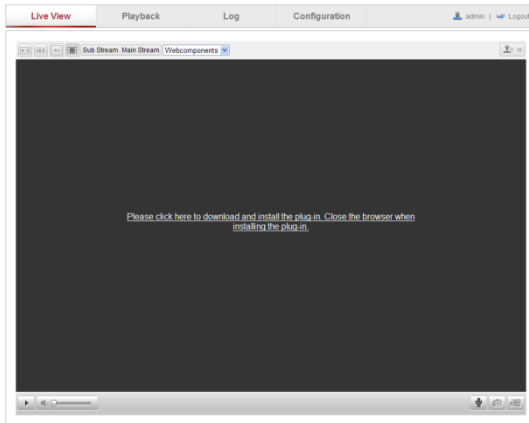


Figure 4-2 Download Plug-in

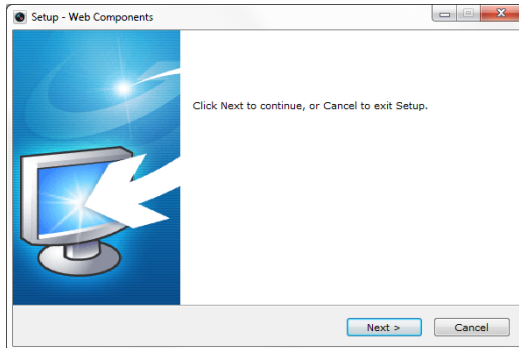


Figure 4-3 Install Plug-in

6. Reopen the web browser after the installation of the plug-in and repeat the above steps 2-4 to login.



For detailed instructions of further configuration, please refer to the user manual of network speed dome.